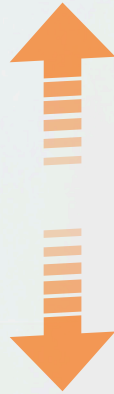


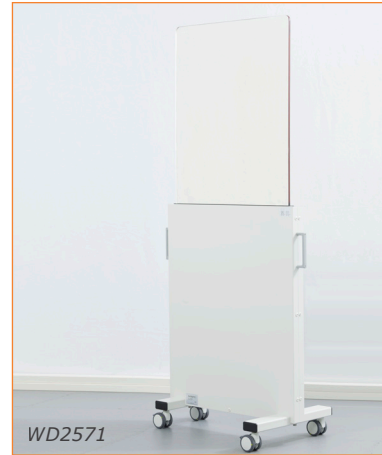
# Mobile Shield WD257

188 cm

115 cm



MAVIG



WD2571



WD2572

**WD2571** Mobile shield with a transparent and height-adjustable lead acrylic panel and a lead equivalent of Pb 1.00 mm for the steel body / Pb 0.50 mm for the lead acrylic panel

**WD2572** Mobile shield similar to WD2571 with accessory rail

CE

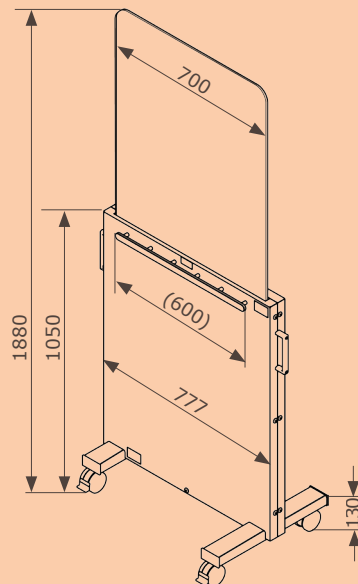
Made in Germany

## Height-Adjustable, Mobile X-Ray Protective Shield - WD257

### The True Allrounder in Radiation Protection

A classic model for multi-modality radiological personal protection where upper and lower body protection are combined in one mobile system. The upper section of the WD257 consists of a transparent lead acrylic panel with a Pb value of 0.50 mm and 70 cm in width. The lower shield section is comprised of a steel body with a grey-white (RAL 9002) varnished finish. The base has a Pb value of 1.00 mm and measures 78 cm x 95 cm (WxH). The shield is adjustable in height from 115 cm (minimum height of the shield) to 188 cm (maximum height of the shield). In both cases, the measurements are from the upper edge of the shield to the floor. The lead acrylic panel is easily height-adjustable and retracts within its steel base.

- Mobile with smooth rolling, electroconductive casters for easy maneuverability
- Special base design that requires minimal space yet still provides maximum tip-resistance
- The easily adjustable lead acrylic panel allows for quick patient access while providing radiation protection to healthcare staff in multi-modality imaging environments.
- Accessory rail, 9 x 25 mm, for equipment up to 4 kg (only WD2572)



**MAVIG GmbH**  
X-Ray Protection  
& System Solutions

Stahlgruberring 5  
81829 Munich  
Germany

PO Box 82 03 62  
81803 Munich  
Germany

Phone: +49 (0) 89 420 96 - 0  
Fax: +49 (0) 89 420 96 - 200  
e-Mail: info@mavig.com

[www.mavig.com](http://www.mavig.com)