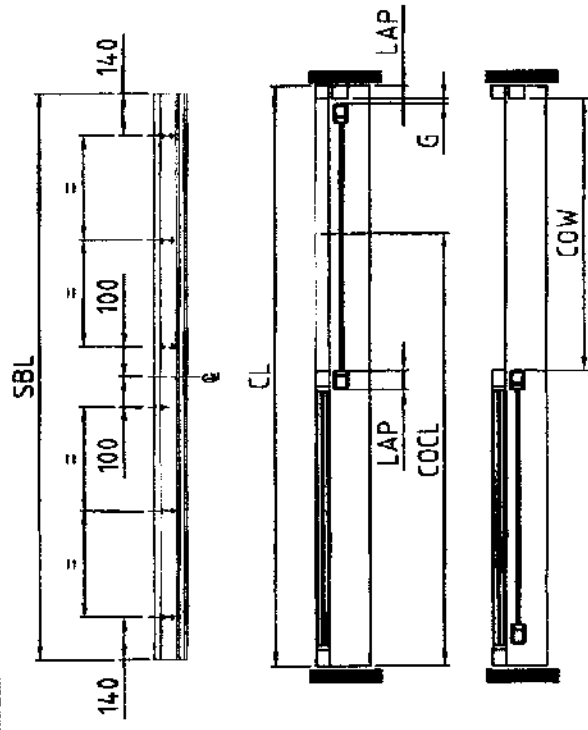


COCL= Center of opening from cover left side  
 COW = Clear opening width  
 Recam. (SBL-2xLAP-100)/2  
 Min. 900, max. (SBL-2xLAP-G)/2  
 CL = Cover length incl 2x30 mm end plates  
 Recam. (2xCOW) + (2xLAP) + 100 + (2x30)  
 Min. (2xCOW) + (2xLAP) + 60  
 DH = Door leaf height  
 SBL = Support beam length  
 Recam. (2xCOW) + (2xLAP) + 100  
 Min. (2xCOW) + (2xLAP), Max. 6100  
 LAP = Overlapping (20 mm)  
 G = Spaces between door leaf and jamb



UniSlide-1 L shown

State when ordering

UniScan Yes   
 COCL=.....mm  
 COW=.....mm  
 Cover Yes   
 CL=.....mm  
 SBL=.....mm  
 LAP=.....mm  
 If not stated LAP = 20  
 G=.....mm  
 If not stated G = 0

Surface treatment  
 Silver anodized.....  
 Special anodized.....  
 RAL 9010.....  
 RAL other.....

Project No.....  
 Sign/Date.....

**Skärmteknik AB**

Fabriksgatan 4, 602 23 Norrköping  
 Tel. 011-12 74 80 Fax. 011-12 06 43

Sliding door operator  
 UniSlide-1 R/L

Article No. 500335



B 833082